

WAT-400D2 1/3" Waterproof One-cable Camera

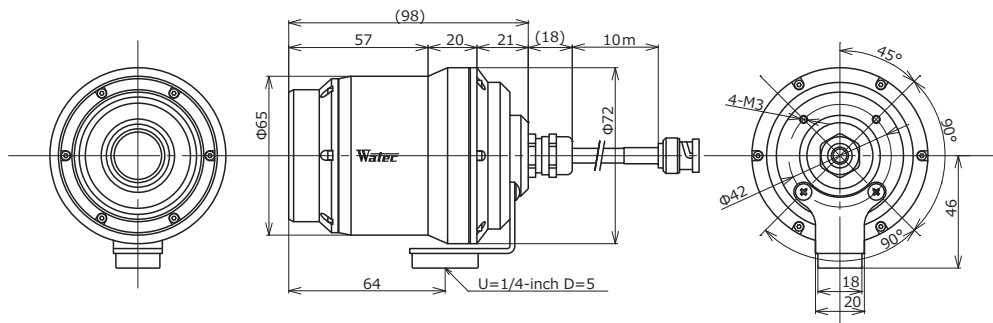
Camera, housing, lens, cable, & power supply in 1 package - all ready to install !



Key features

- Water protection grade IPX8 (10m)
- Durable aluminum housing (stainless steel housing *MTO)
- One cable system provides simple cable wiring
- Improved sensitivity, Min. illumination 0.005lx (was 0.15lx w/ 400D)
- Various function settings available to order (AE mode, white balance, gain control, BLC, etc.)
- Focal length selectable from f2.8 to f10.5 (f2.8: standard, other: MTO)

Dimensions



Specifications

Video standard		NTSC	PAL
Pick-up element		1/3 inch interline transfer CCD image sensor	
Number of effective pixels		976(H) × 494(V)	976(H) × 582(V)
Unit cell size		5.4μm(H) × 7.4μm(V)	5.0μm(H) × 6.25μm(V)
Imaging system		Ye, Cy, Mg, and G complementary color mosaic filters on chip	
Synchronizing system		Internal	
Scanning system		2:1 Interlace	
Video output		Composite: 1.0 V(p-p) 75Ω (Unbalanced)	
Resolution (H)		More than 650TVL (Center)	
Minimum illumination		0.005 lx F1.2 (AGC ON=45dB, Shutter=OFF)	
S/N		More than 52dB (AGC OFF=-3dB, γ=0.45)	
Function settings		-	
AE mode	Fixed	-	
	EI	1/60 - 1/100000 sec.	1/50 - 1/100000 sec.
White balance		ATW	
AGC	ON	-3 - 45dB	
	OFF	-	
MGC		-	
Day/Night		OFF	
Gamma characteristics		γ=0.45	
Video level		92.5IRE	85IRE
Noise reduction		2DNR ON	
Wide dynamic range		OFF	
Lens iris		DC	
Back light compensation		BLC	
White blemish correction		-	
Sharpness		ON	
Defog		OFF	
Digital zoom		-	
Privacy mask		OFF	
Mirror image		OFF	
Freeze		-	
Motion detection		-	
Neg.image		-	
Interface		BNC (Composite Video, Power in)	
Power supply		DC+15V±10%	
Power consumption		1.8W (120mA)	
Operating temperature		-10 - +50°C	
Storage temperature		-30 - +70°C	
Operating / Storage humidity		95% RH or less (Without condensation)	
Standard lens		f=2.8mm F1.2 (f=2.8mm - 10.5mm F1.2 (2.8) Varifocal lens)	
Cable length		3C-2V 10m (Max. 200m)	
Weight		Approx. 900g	
Accessories		Receiver (WAT-400RX2), Power supply adaptor, Conversion plug (TI-64)	

※Various function controls are available on request. Please contact Watec or your supplier for details

Accessories Options

WAT-400D2

