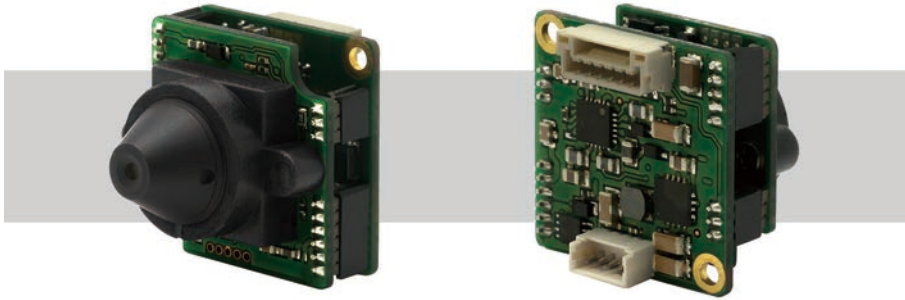


WAT-910HX MBD (P3.3) 1/3" Super High Sensitivity Miniature Board Camera

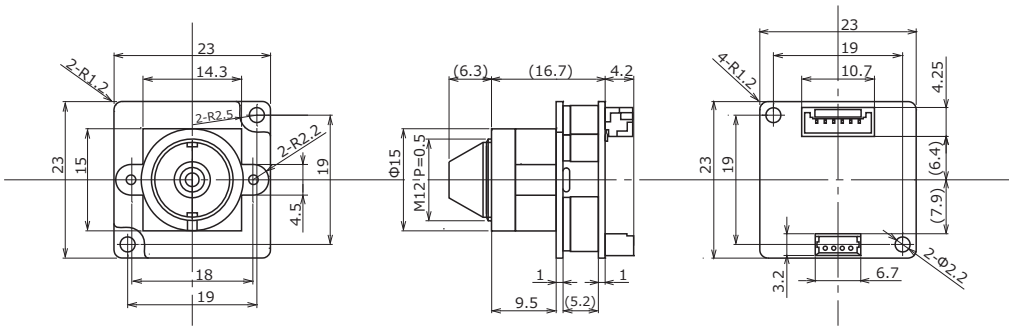
Ultra-compact design only 23 x 23mm for limited space and embedded application



Key features

- Advanced setting available by OSD (On Screen Display) through an optional remote control
- Build-in M12 Conical Pinhole lens P3.3 (f=3.3mm F2.4)
- ※Glass lenses and pinhole lens are not interchangeable

Dimensions



Specifications

| Video standard | | EIA | CCIR |
|------------------------------|-------|--|----------------------|
| Pick-up element | | 1/3 inch interline transfer CCD image sensor | |
| Number of effective pixels | | 768(H) × 494(V) | 752(H) × 582(V) |
| Unit cell size | | 6.4µm(H) × 7.5µm(V) | 6.5µm(H) × 6.3µm(V) |
| Synchronizing system | | Internal | |
| Scanning system | | 2:1 interlace | |
| Video output | | Composite video, 1.0 V(p-p) 75Ω (Unbalanced) | |
| Resolution (H) | | More than 570TVL (Center) | |
| Minimum illumination | | 0.00016 lx F2.4 (AGC ON=48dB, Shutter=x8) | |
| S/N | | More than 50dB (AGC OFF=6dB, γ=0.45, Shutter=OFF, NR=ON) | |
| Function settings | | OSD : Remote controller | |
| AE mode | Fixed | x2, x4, x8, x16, x32, x64, x128, x256 (field) | |
| | | 1/60, 1/120 sec. | 1/50, 1/100 sec. |
| AE mode | EI | 1/250, 1/500, 1/1000, 1/2000, 1/4000, 1/10000 sec. | |
| | | 1/60 - 1/100000 sec. | 1/50 - 1/100000 sec. |
| AGC | ON | x8 - 1/100000 sec. | |
| | OFF | 0 - 48dB (Max. 6 - 48) | |
| MGC | | 0 - 48dB (6dB step) | |
| Gamma characteristics | | γ=0.45 | |
| Video level | | Adjustable | |
| Noise reduction | | 3D+2DNR ON Level adjustable | |
| Wide dynamic range | | D-WDR OFF/ON Level adjustable | |
| Lens iris | | - | |
| Back light compensation | | BLC, HSBLIC | |
| White blemish correction | | Up to 64 pixels | |
| Sharpness | | Level adjustable | |
| Defog | | OFF/ON Level adjustable | |
| Digital zoom | | ZOOM (x1 - x256), PAN/TILT | |
| Privacy mask | | 15 masks | |
| Mirror image | | OFF, V-FLIP, H-FLIP, HV-FLIP | |
| Freeze | | - | |
| Motion detection | | OFF/ON Select from 96 detection areas | |
| Neg.image | | - | |
| Interface | | 4P connector (Composite Video, Power in), Remote control (RC-01) | |
| Power supply | | DC+12V±10% | |
| Power consumption | | 0.96W (80mA) | |
| Operating temperature | | -10 - +50°C | |
| Storage temperature | | -30 - +70°C | |
| Operating / Storage humidity | | 95% RH or less (Without condensation) | |
| Lens mount | | M12 P=0.5 | |
| Standard lens | | 3324B-12P(A) (f3.3 F2.4) | |
| Weight | | Approx. 10g | |
| Accessories | | 4P cable | |

Accessories Options

